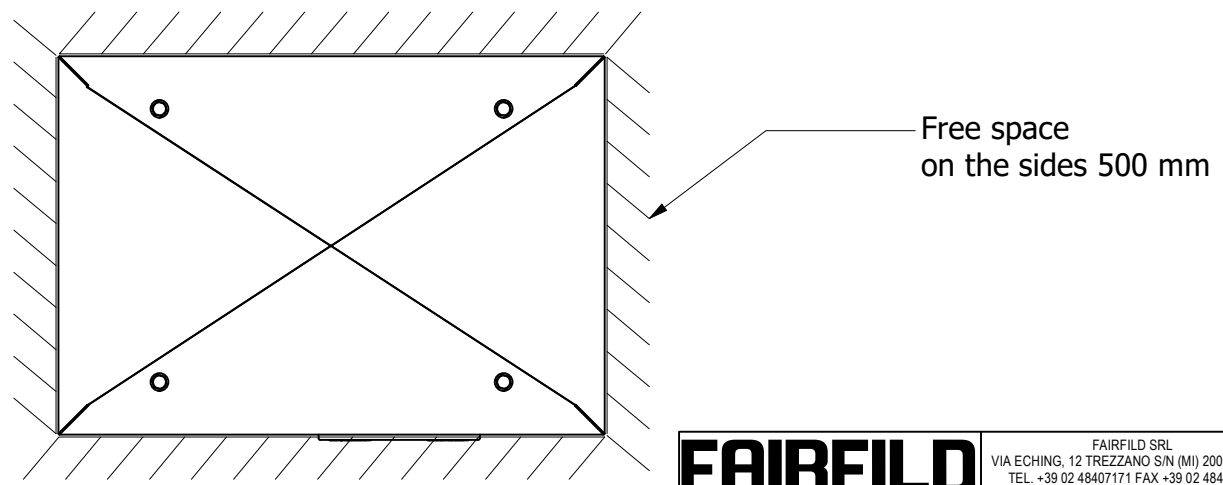


Naked wirewound resistor elements in galvanized steel enclosure IP23.

Power connections available into a painted die-cast aluminum terminal box on screw terminals.

The passing insulators are composed of two insulating parts made of ceramics and nichel-plated brass bolt M10.

Tightening Torque 25 Nm



General Tolerances ISO 2768-1 Linear Dimensions mm							
from	0,5	3	6	30	120	400	1000
to	3	6	30	120	400	1000	2000
f	±0.05	±0.05	±0.1	±0.15	±0.2	±0.3	±0.5
m	±0.1	±0.1	±0.2	±0.3	±0.5	±0.8	±1.2
c	±0.2	±0.3	±0.5	±0.8	±1.2	±2	±3
v	±0.5	±1	±1.5	±2.5	±4	±6	±8

REVISIONI/REVISIONS				DISIGNATO/DRAWN	CONTROLLATO/CHECKED
REV	DATA/DATE	DESCRIZIONE/DESCRIPTION		C.Cirillo	A. Campagnoni
00	11/03/2022				

Unless where otherwise specified, dimensions in this drawing are expressed in mm.
Applicable standard for general tolerances
ISO 2768-1 General tolerances for linear and angular dimensions.
ISO 2768-2 Geometrical tolerances for features without individual tolerance indications

FAIRFIELD FAIRFIELD SRL
VIA ECHING, 12 TREZZANO S/N (MI) 20090 ITALY
TEL. +39 02 48407171 FAX +39 02 48407157
www.fairfield.com - info@fairfield.com

This drawing is a Fairfield's exclusive property. Reproduction and spread, also partial, of this drawing are forbidden without written authorization from Fairfield

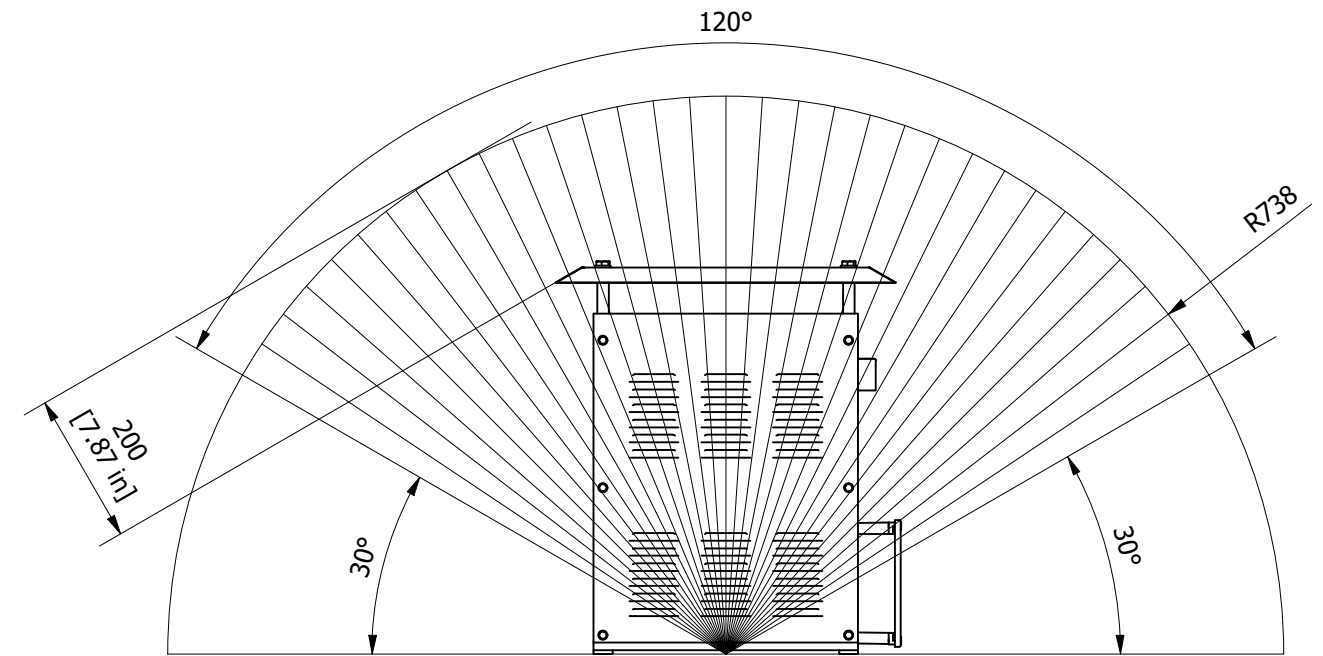
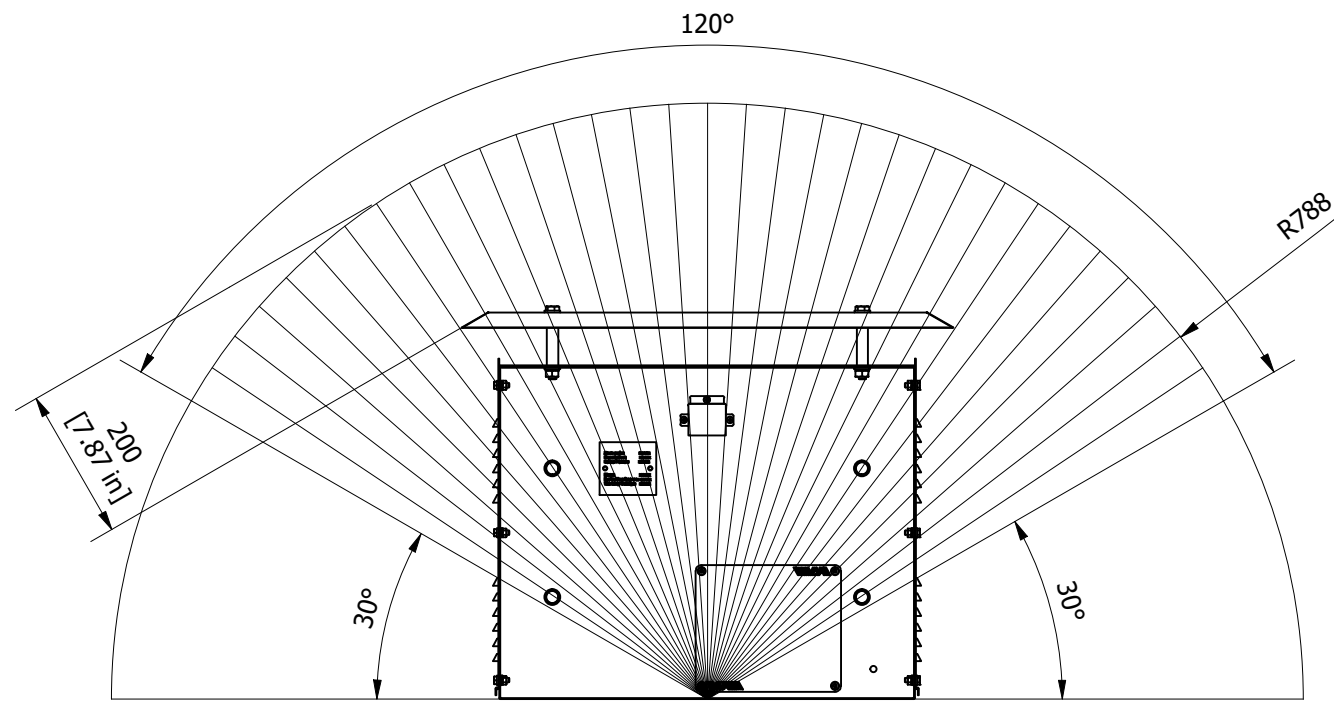
PROGETTO/PROJECT
RX Catalogue

TITOLO/TITLE
RX 35s RMS 6 (A)-UL

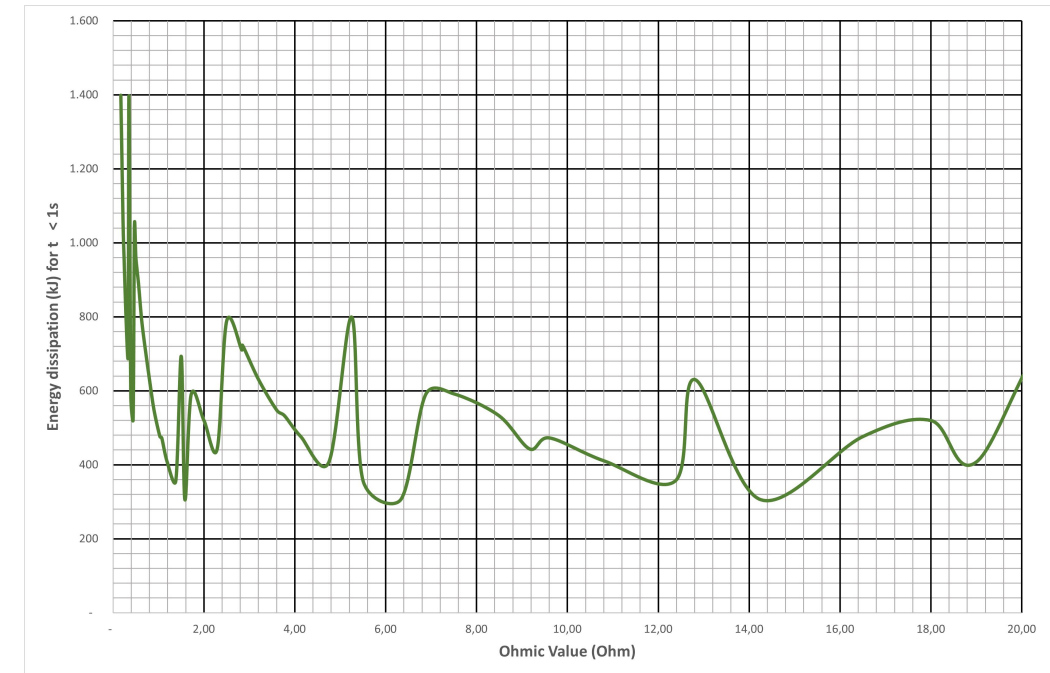
DISIGNO NR./DRAWING NR. DT.0063.22.A	CODICE ARTICOLO/ITEM CODE RX 35s RMS 6 (A)-UL	MATERIALE/MATERIAL
PROGETTATO/DESIGNED C.Cirillo	CONTROLLATO/CHECKED A. Campagnoni	FOGLIO/SHEET 1 of 2
DATA/DATE 10/03/2022	TOLLERANZA/TOLERANCE m	

C:\Vair\PDF\RX 35s RMS 6 (A)-UL\RX 35s RMS 6 (A)-UL.dwg

IPX3 Verification



Energy Dissipation vs. Ohmic Value



GENERAL DATA			
Parameter	Condition	Value	Unit
Operating voltage		1000	V
Rated continuous power	Tamb=40 °C	8,5	kW
Range Ohmic values		0,27 ÷ 110	Ω
Max rated current		270	A
Standard tolerance on Ohmic value		± 10	%
Temperature coefficient	NiCr	240	ppm/K
	CuNi44	60	
Thermal time constant	enclosure	900	s
Dielectric strength	50 Hz 60 s	4250	VAC
Overload	5 s	10 x Rp	
	10 s	5 x Rp	
	30 s	2 x Rp	
	60 s	1,5 x Rp	
Weight max		30	kg

FAIRFIELD		FAIRFIELD SRL VIA ECHING, 12 TREZZANO S/N (MI) 20090 ITALY TEL. +39 02 48407171 FAX +39 02 48407157 www.fairfield.com - info@fairfield.com			
This drawing is a Fairfield's exclusive property. Reproduction and spread, also partial, of this drawing are forbidden without written authorization from Fairfield.					
PROGETTO/PROJECT RX Catalogue					
TITOLO/TITLE RX 35s RMS 6 (A)-UL					
DISEGNO NR./DRAWING NR. DT.0063.22.A		CODICE ARTICOLO/ITEM CODE RX 35s RMS 6 (A)-UL		MATERIALE/MATERIAL	
PROGETTATO/DESIGNED C.Cirillo	CONTROLLATO/CHECKED A. Campagnoni	DATA/DATE 10/03/2022	FOGLIO/SHEET 2 of 2	TOLLERANZA/TOLERANCE m	
C:\Vair\PDF\RX 35s RMS 6 (A)-UL\RX 35s RMS 6 (A)-UL.dwg					