

# RCE

### Description

Elliptical shape, High surface load, Very high impulse load and overload

### Mechanical characteristics

IP00, Stainless steel terminals, Suitable for grouping

### Applications

Dynamic Braking, Harmonic Filter, Charge/Discharge Capacitor, Heating, Load bank

### Market

Railways, Industrial Automation, Energy

### Special version

Ohmic values out of range, Special tolerance on resistance (2%, 1%), Adjustable version, Low inductance

### Active materials

Depending on the ohmic value the used alloy may be NiCr or CuNi44



### 300 W ÷ 1800 W



## ELECTRICAL CHARACTERISTICS

refers to room temperature 25°C

ID	Rated Power	Min Resistance	Max Resistance	Min res.not-inductive version	Max res.not-inductive version	Limit Voltage
Unit	W	Ω	Ω	Ω	Ω	V
RCE 300	300	0,51	1k1	2	270	3000
RCE 500	500	0,82	1k8	3,3	470	3000
RCE 800	800	1,5	3k3	6,2	820	3000
RCE 1000	1000	1,8	3k9	7,5	1k	3000
RCE 1200	1200	2,2	4k7	8,2	1k2	3000
RCE 1500	1500	2,7	6k2	11	1k5	3000
RCE 1800	1800	3,6	7k5	13	1k8	3000
Insulation resistance 1000 VDC		≥1000 MΩ		Temp. Coefficient Resistance		40÷240 10 <sup>-6</sup> /°C
Max Overload 120" / 5"		2xP <sub>r</sub> / 10xP <sub>r</sub>		Dielectric strength 50Hz; 60"		3000 V

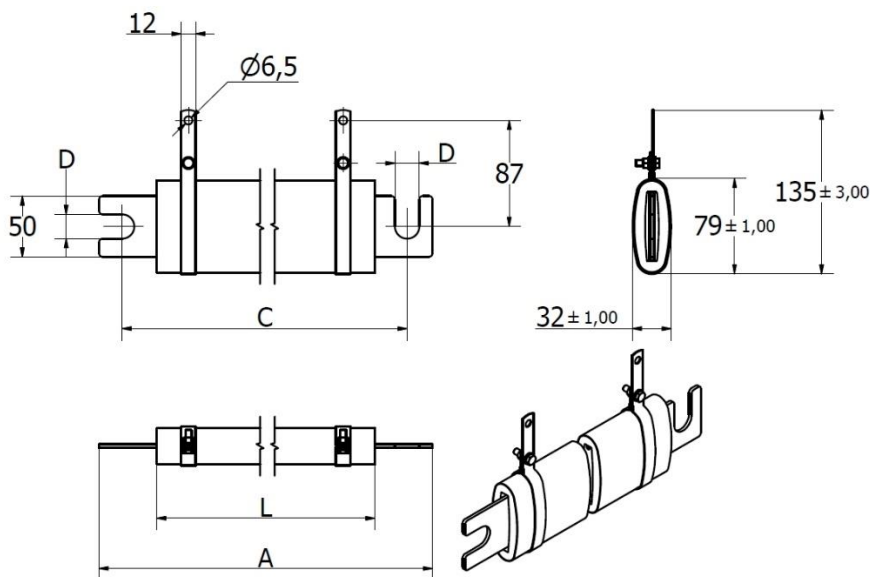
www.fairfield.com - info@fairfield.com

Phone +39 02 48407171 - Fax +39 02 48407157

### MECHANICAL DATA

Dimensions [mm]	A [mm]	C [mm]	L [mm]	D	Weight [g]
RCE 300	230	190	145	20	950
RCE 500	280	240	195	20	1.050
RCE 800	380	340	295	20	1.400
RCE 1000	440	400	355	20	1.500
RCE 1200	500	460	395	20	1.750
RCE 1500	620	578	495	20	2.100
RCE 1800	690	650	595	27	2.450

### DRAWING



Unless otherwise specified, applicable standard of general tolerances for linear and angular dimensions is ISO 2768-1 class c; applicable standard for ceramic parts is DIN 40680-1 (general dimension) class g and DIN 40680-22 (shape) class g.

### Marking

The resistor is marked on the collar with indelible ink high temperature according to this example:

FAIRFILD RCE 300 150R 5% WW/YY (week / year)

### Packing

The resistor is packed in a way to preserve incidental damages due to transport. The resistor is made by ceramic parts, accidental fall can damage it, handle with care.

### Disclaimer

Every effort has been made to ensure that the information in this datasheet is accurate. Fairfield is not responsible for printing or clerical errors. All properties and characteristics mentioned in this datasheet are only for informational purposes. The information in this datasheet is offered solely for your consideration and should not be taken as a warranty or representation for which we assume legal responsibility. The customer bears all responsibility for use and application of Fairfield products. There is no responsibility of the manufacturer for any damage to persons and properties in case of improper use. Fairfield reserves the right to change specifications without prior notice.

### Copyright

This datasheet is subject to copyright. Fairfield reserves all rights of translation in any language, reprinting, re-use of illustrations. No part of this publication may be reproduced or transmitted in any form or by any means, electronic, mechanical, photocopying, without the written permission of the copyrighted owner Fairfield, Italy. Violations may be subject to legal proceedings involving monetary damages as well as compensation for costs and legal fees under Italian copyright law and regulation within the European Union.

### Ordering information

RCE/Y XXX RRRR 5%  
 Y N : not inductive version  
 R : adjustable version

XXX Model / Rated power i.e. 300 : 300 W  
 RRRR Resistance value (nominal at 20°C)

Example

RCE 300 150R 5%

RCE is the name of the product

300 is the model that corresponds, for RCE family, to the rated power, in this case 300 W

150R means 150 Ω that is the nominal ohmic value at 20°C

5% is the tolerance on the ohmic value, in this case the value of the resistor is accepted when is within 142.5 Ω + 157.5 Ω