

Wirewound resistor coated with cement

Description

Tubular ceramic support

Mechanical characteristics

IP00, Terminals for screw connection, Cylindrical shape

Applications

Harmonic filter, Neutral grounding, Charge/discharge capacitor, Heating

Market

Industrial automation, Energy

Special version

Ohmic values out of range, Special tolerance on resistance (2%, 1%), Low inductance, Adjustable version, Intermediate grip

Active materials

Depending on the ohmic value the used alloy may be NiCr or CuNi44

RC



15 W ÷ 300 W



ELECTRICAL CHARACTERISTICS

refers to room temperature 25 °C

ID	Rated Power	Min resistance	Max resistance	Min res.not-Inductive versio	Max res.not-Inductive version	Limit Voltage
Unit	W	Ω	Ω	Ω	Ω	V
RC 15	15	1,6	6k2	6,2	1k6	500
RC 25	25	1,8	15k	7,5	3k6	700
RC 50	50	3,6	27k	13	6k8	1000
RC 60	60	2,7	36k	10	9k1	1200
RC 90	90	4,3	62k	18	16k	1500
RC 110	110	5,6	75k	22	20k	1800
RC 160	160	5,1	91k	20	30k	2500
RC 220	220	7,5	91k	30	43k	3000
RC 260	260	9,1	91k	36	51k	3000
RC 300	300	11	91k	43	62k	3000
Insulation resistance 500 VDC		≥100 MΩ		Temp. Coefficient Resistance		40+240 10 ⁻⁶ /°C
Max Overload 10" / 5"		5xP _r / 10xP _r		Dielectric strength 50Hz; 60"		1000 V

www.fairfield.com - info@fairfield.com

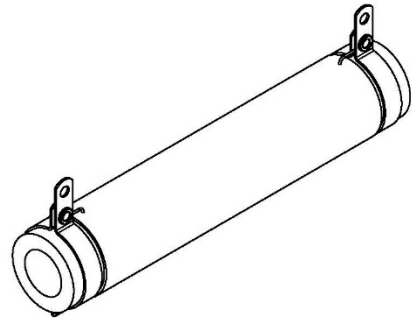
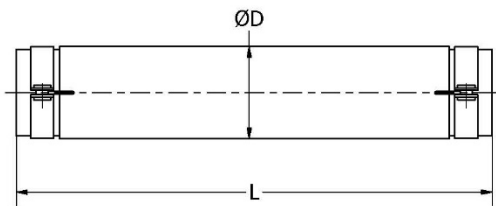
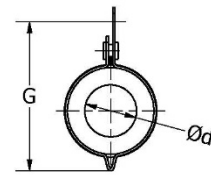
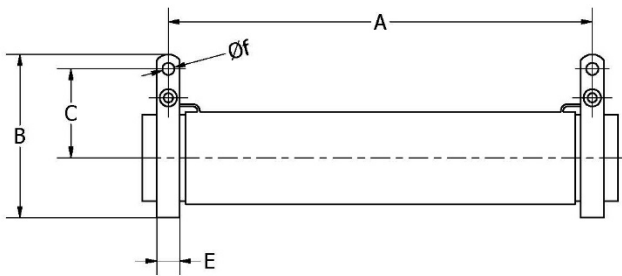
Phone +39 02 48407171 - Fax +39 02 48407157

MECHANICAL DATA TC TERMINALS

Dimensions [mm]	A	B	C	D	d	E	f	G	L	Brackets	Weight (g)
RC 15	36	29,7	16,3	10	4,5	6	3,2	25	45	SQ-SC 10	13
RC 25	53	33	17,8	13	7	6	3,2	31,5	64	SQ-SC 13	20
RC 50	80	38,1	20,8	16	9,5	6	3,2	35	90	SQ-SC 16/20	45
RC 60	82	46,2	25,8	20	9,5	8	4,2	41	100	SQ-SC 16/20	75
RC 90	112	49,3	27,3	23	13	8	4,2	44	130	SQ-SC 23	115
RC 110	147	46,2	25,8	20	9,5	8	4,2	41	165	SQ-SC 16/20	135
RC 160	147	56,4	30,8	30	18	8	4,2	51	165	SQ-SC 30	210
RC 220	202	56,4	30,8	30	18	8	4,2	51	220	SQ-SC 30	260
RC 260	247	56,4	30,8	30	18	8	4,2	51	265	SQ-SC 30	360
RC 300	282	56,4	30,8	30	18	8	4,2	51	300	SQ-SC 30	410

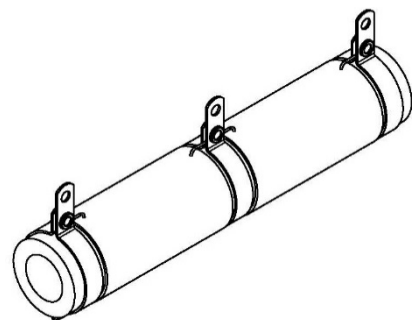
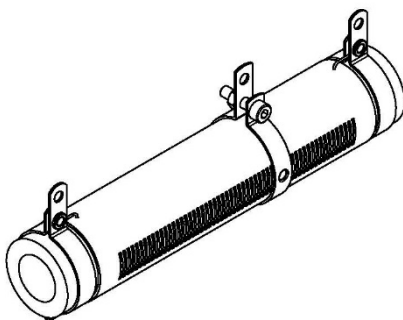
DRAWING (TC TERMINALS)

Unless otherwise specified, applicable standard of general tolerances for linear and angular dimensions is ISO 2768-1 class c; applicable standard for ceramic parts is DIN 40680-1 (general dimension) class g and DIN 40680-22 (shape) class g.

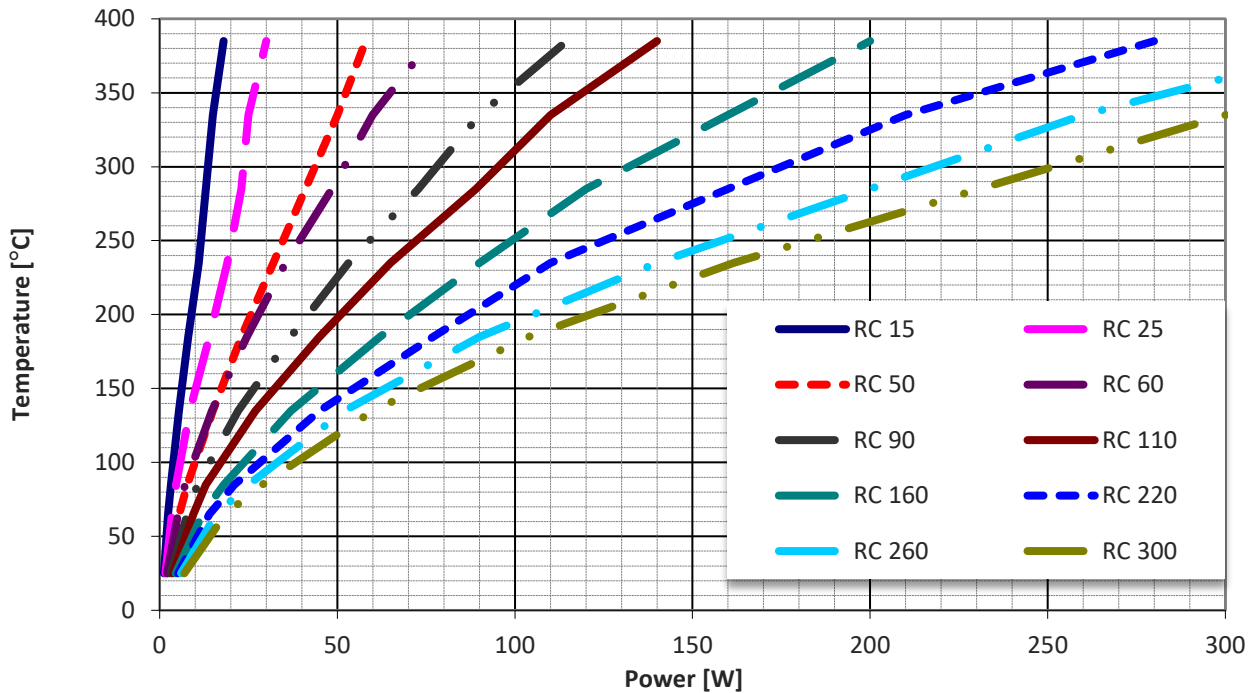


ADJUSTABLE VERSION (TC TERMINALS)

INTERMEDIATE GRIP (TC TERMINALS)



SURFACE TEMPERATURE CHARACTERISTICS



Except where stated otherwise, Rated power is given at 20 °C ambient temperature. The maximum power that can be dissipated decreases with the increase of ambient temperature. Derating drops to zero at 350 °C ambient temperature from nominal rating at 25%.

Marking

The resistor is marked on the collar with indelible ink high temperature
FAIRFIELD RC/N 25 150R 5% TC WW/YY (week / year)

Packing

The resistor is packed in a way to preserve incidental damages due to transport. The resistor is made by ceramic parts, accidental fall can damage it, handle with care.

Disclaimer

Every effort has been made to ensure that the information in this datasheet is accurate. Fairfield is not responsible for printing or clerical errors. All properties and characteristics mentioned in this datasheet are only for informational purposes. The information in this datasheet is offered solely for your consideration and should not be taken as a warranty or representation for which we assume legal responsibility. The customer bears all responsibility for use and application of Fairfield products. There is no responsibility of the manufacturer for any damage to persons and properties in case of improper use. Fairfield reserves the right to change specifications without prior notice.

Copyright

This datasheet is subject to copyright. Fairfield reserves all rights of translation in any language, reprinting, re-use of illustrations. No part of this publication may be reproduced or transmitted in any form or by any means, electronic, mechanical, photocopying, without the written permission of the copyrighted owner Fairfield, Italy. Violations may be subject to legal proceedings involving monetary damages as well as compensation for costs and legal fees under Italian copyright law and regulation within the European Union.

Ordering information

RC/Y XXX RRRR 5% TC
Y N : not inductive version
R : adjustable version
P : intermediate grip

XXXModel / Rated power i.e. 25 : 25 W

RRRR Resistance value (nominal at 20 °C)

Example

RC/N 25 150R 5% TC

RS is the name of the product

N means the not inductive version

25 is the model that corresponds, for RC family, to the rated power, in this case 25 W

150R means 150 Ω that is the nominal ohmic value at 20 °C

5% is the tolerance on the ohmic value, in this case the value of the resistor is accepted when is within 142.5 Ω ÷ 157.5 Ω