

Description

Hermetic sealed aluminum heat sink case resistor

Mechanical characteristics

IP54, Wire coiled inserted in ceramic tube and filled with quartzite sand, Sealed by dielectric cement

Applications

Dynamic braking,
Charge/discharge capacitor,

Market

Industrial automation,
Energy

Special version

Ohmic values out of range, Special tolerance on resistance (2%, 1%),
Different cable length, Thermal switch

RDF



0.75 W ÷ 1.5 KW

ELECTRICAL CHARACTERISTICS

refers to room temperature 25°C

ID	Max Power	Rated Power	Min Resistance	Max Resistance
Unit	W	W	Ω	Ω
RDF 750	750	425	3.6	300
RDF 1100	1100	470	5.1	430
RDF 1500	1500	550	6.2	510

Insulation resistance (1000 VDC) $\geq 1000 \text{ M}\Omega$	Dielectric strength (50Hz; 60") 3500 V
Limit Voltage 2000 V	Thermal time constant 1500 s

Active materials: calculation for min ohmic value are made considering wire material CuNi44, whereas max ohmic value refers to wire material FeCrAl. Resistors can be made also with NiCr alloys. Temp. Coefficient Resistance depends on the used alloy, typically it is between 20 and 240 $10^{-6}/^{\circ}\text{C}$.

The standard version cable is single core with flexible conductor silicone rubber insulated with fiberglass braid.
For cross section AWG14 and AWG16 the cable is classified 200°C – 600 V and made according to UL Style 3071.
For cross section 1 mm², 4 mm² and 6 mm² the cable is classified 180°C – 500 V and made according to IEC EN 60228 cl. 5 /CEI EN 50363-5.
The tolerance on cable length is ± 5 mm. The choice of cross section to be used depends on the current that flows in the resistor.
External thermal switch 160 \pm 5°C (rated voltage: 250 V; rated current: 16 A; leads Faston 6.3), it is an option and must be specified in the order.
Housing is aluminum extrude, it oxidized upon customer's request.
Standard tolerance on ohmic value is $\pm 5\%$.
Max power can be supplied to the resistor for not more than 60 minutes.
Picture above refers to RDF 1500.

www.fairfield.com - info@fairfield.com

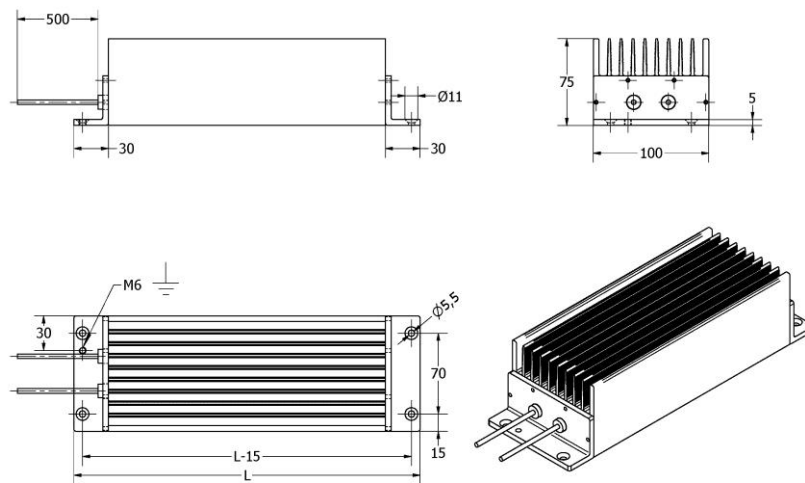
Phone +39 02 48407171 - Fax +39 02 48407157

MECHANICAL DATA

Dimensions [mm]	L	Weight [g]
RDF 750	245	2600
RDF 1100	310	3500
RDF 1500	365	4200

Unless otherwise specified, applicable standard of general tolerances for linear and angular dimensions is ISO 2768-1 class c; applicable standard for aluminum profile is EN 755-9:2008.

DRAWING



Overload conditions

Case resistors are mostly used for overload operation, such as precharge of capacitors, dynamic braking of VFD, crowbar operations.

We can distinguish between 3 typical overload conditions: one is the isolated single pulse (emergency braking, precharge in case of short circuit or abnormal duty), the second one is the cyclic work load (i.e. braking of a lift), and the third one is a long overload (i.e. due to a fault in the system).

In all 3 cases, we can state that for pulses of duration less than 60 s, the mass of the wire must be taken in account to define the admissible overload. The mass of the wire depends on the ohmic value.

Unless the pulse is very short (<0,5 s), the mass of the quartzite sand inside plays an important role for the calculation of the global thermal capacity. The longer is the duration of pulse, the higher is the multiplier of the thermal capacity of the wire.

Fairfield technical office is at your disposal for further detailed information.

As far the operation in the **cyclic work load** condition, we can easily calculate the admissible braking power in respect off the duty cycle (ton / total time): Braking power = Rated power * (1 / Duty cycle)

This is valid only if the period does not exceed 240 s.

In the following table is shown the max power that is possible to supply for different duty cycle and period.

CYCLIC WORK LOAD

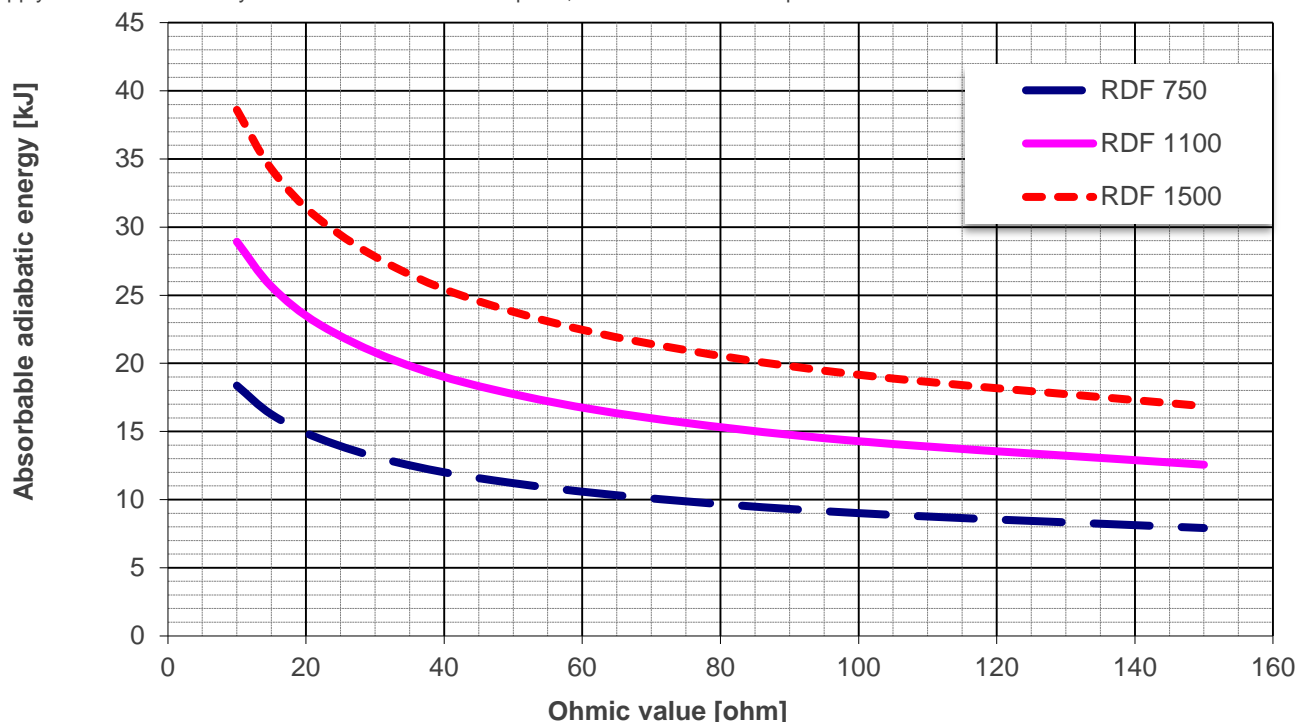
Model	Pulse load period 120s			
	ED 2.5%	ED 10%	ED 25%	ED 50%
	kW	kW	kW	kW
RDF 750	17.0	4.3	1.7	0.85
RDF 1100	18.8	4.7	1.9	0.9
RDF 1500	22.4	5.6	2.2	1.1

www.fairfield.com - info@fairfield.com

Phone +39 02 48407171 - Fax +39 02 48407157

PULSE LOAD

In the following graph is shown, for ohmic value range between 10 Ω and 150 Ω, the maximum **pulse energy** of max 1 second that is possible to supply to the resistor in a cyclic load. In case of isolated pulse, the value can be multiplied times 2.

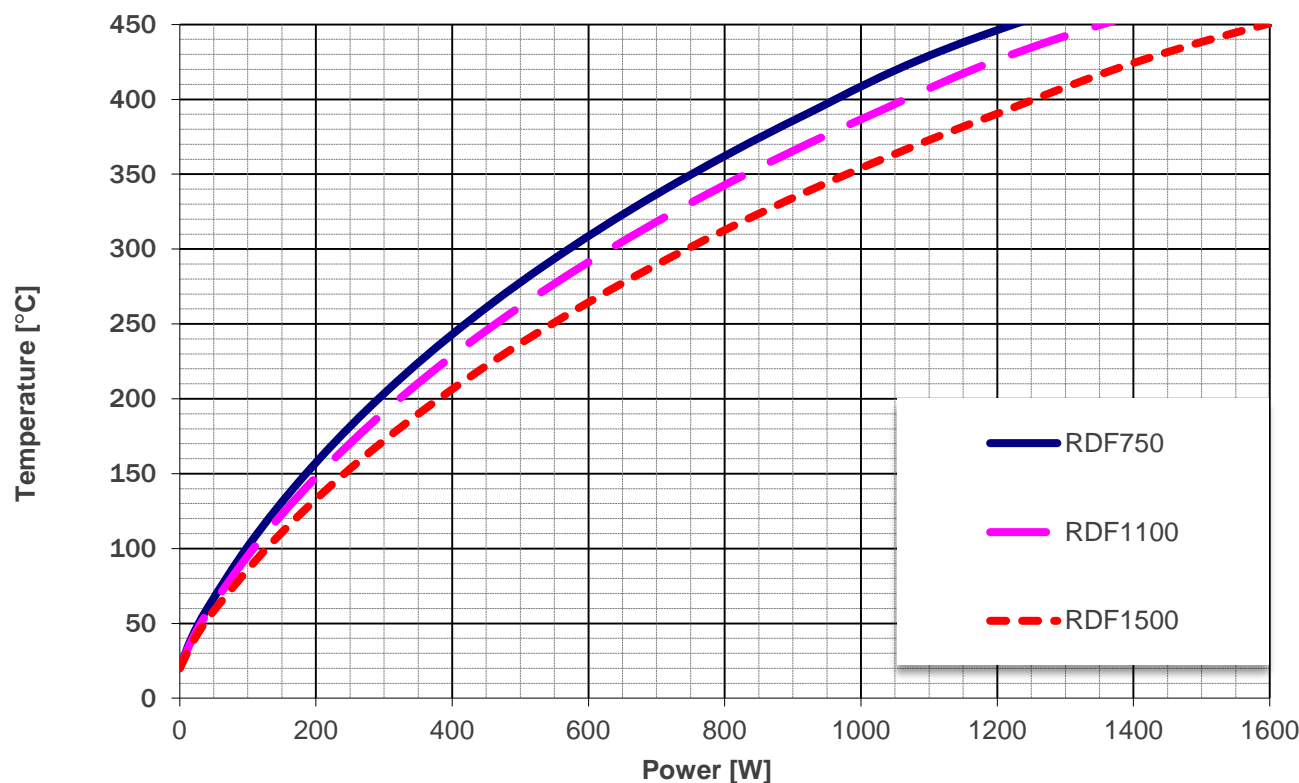


The rated power stated in this datasheet refers to the resistor mounted in horizontal position (with no possibility to exchange heat in the bottom direction) at the ambient temperature of 25°C and 250°C on the external surface. The power dissipation is influenced by:

- Mounting position and arrangement (wall, heat - sink)
- Number of resistors mounted together (grouping)
- Ambient temperature (in free air or inside an enclosure)

Ask the appropriate test reports for more details. See the following graph to know the external temperature corresponding to a certain continuous power.

SURFACE TEMPERATURE CHARACTERISTICS



Marking

The resistor is marked on the housing with indelible ink high temperature
 FAIRFIELD – RDF 1100 15R 5% WW/YY (week / year)

Installation

Warning: Units must never be mounted with the terminals uppermost

Packing

The resistor is packed in a way to preserve incidental damages due to transport. To avoid resistor's break we recommend to never take it from the cables and to handle with care inside the original boxes provided by the factory.

Disclaimer

Every effort has been made to ensure that the information in this datasheet is accurate. Fairfield is not responsible for printing or clerical errors. All properties and characteristics mentioned in this datasheet are only for informational purposes. The information in this datasheet is offered solely for your consideration and should not be taken as a warranty or representation for which we assume legal responsibility. The customer bears all responsibility for use and application of Fairfield products. There is no responsibility of the manufacturer for any damage to persons and properties in case of improper use. Fairfield reserves the right to change specifications without prior notice.

Copyright

This datasheet is subject to copyright. Fairfield reserves all rights of translation in any language, reprinting, re-use of illustrations. No part of this publication may be reproduced or transmitted in any form or by any means, electronic, mechanical, photocopying, without the written permission of the copyrighted owner Fairfield, Italy. Violations may be subject to legal proceedings involving monetary damages as well as compensation for costs and legal fees under Italian copyright law and regulation within the European Union.

Ordering information

RDF/Y XXX RRRR 5%
 Y T : External thermal switch 160±5°C (rated voltage: 250 V; rated current: 16 A; leads Faston 6.3)

XXX Model 750, 1100, 1500

RRRR Resistance value (nominal at 20°C)

Example

RDF 1100 15R 5%
 RDF is the name of the product
 1100 is the model
 15R means 15 Ω that is the nominal ohmic value at 20°C
 5% is the tolerance on the ohmic value, in this case the value of the resistor is accepted when is within 14.25 Ω ÷ 15.75 Ω

www.fairfield.com - info@fairfield.com

Phone +39 02 48407171 - Fax +39 02 48407157