

Tape wound resistor coated with cement

RCPO

Description

Tubular ceramic support

Mechanical characteristics

IP00, Terminals for screw connection, Cylindrical shape

Applications

Harmonic filter, Neutral grounding, Charge/discharge capacitor, Load bank

Market

Industrial automation, Energy

Special version

Ohmic values out of range, Special tolerance on resistance (2%, 1%), Adjustable version

Active materials

Depending on the ohmic value the used alloy may be NiCr or CuNi44 or CuNi11



152 W ÷ 1500 W



www.fairfield.com - info@fairfield.com

Phone +39 02 48407171 - Fax +39 02 48407157

ELECTRICAL CHARACTERISTICS

refers to room temperature 25°C

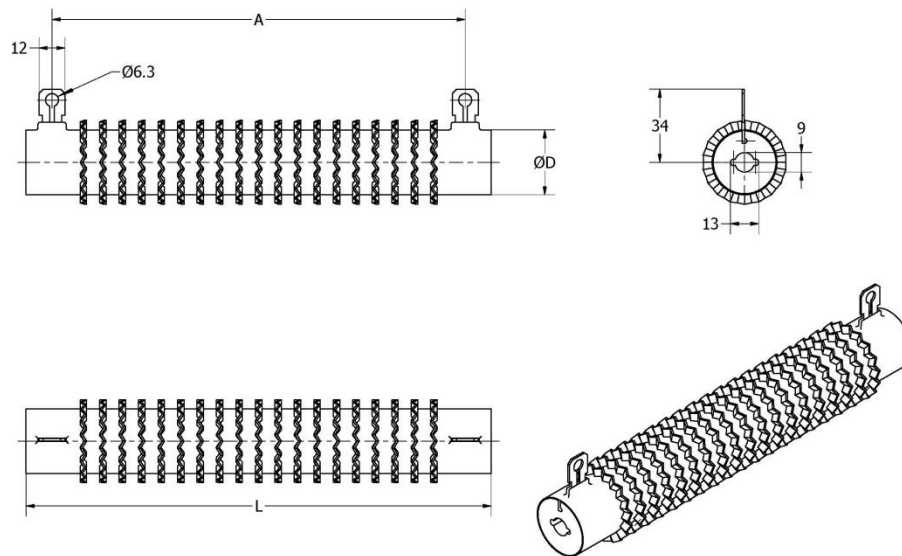
ID	Rated Power	Min resistance	Max resistance	Limit Voltage
Unit	W	Ω	Ω	V
RCPO 152	152	0,068	7,5	1500
RCPO 155	155	0,082	9,1	1500
RCPO 240	240	0,15	16	2000
RCPO 300	300	0,2	22	2500
RCPO 370	370	0,27	30	3000
RCPO 420	420	0,3	33	3000
RCPO 500	500	0,39	43	3000
RCPO 600	600	0,51	56	3000
RCPO 750	750	0,62	68	3000
RCPO 1000	1000	0,82	91	3000
RCPO 1500	1500	1,1	120	3000
Insulation resistance 1.000 VDC		≥100 MΩ	Temp. Coefficient Resistance	20÷450 10 ⁻⁶ /°C
Max Overload 10"		5xP _r	Dielectric strength 50Hz; 60"	3000 V

MECHANICAL DATA RCPO 152-420

Dimensions [mm]	A	D	L	BRACKETS	Weight [g]
RCPO 152	76	29	100	SQ/SC 23	170
RCPO 155	84	29	108	SQ/SC 23	180
RCPO 240	141	29	165	SQ/SC 23	290
RCPO 300	191	29	215	SQ/SC 23	370
RCPO 370	241	29	265	SQ/SC 23	460
RCPO 420	276	29	300	SQ/SC 23	520

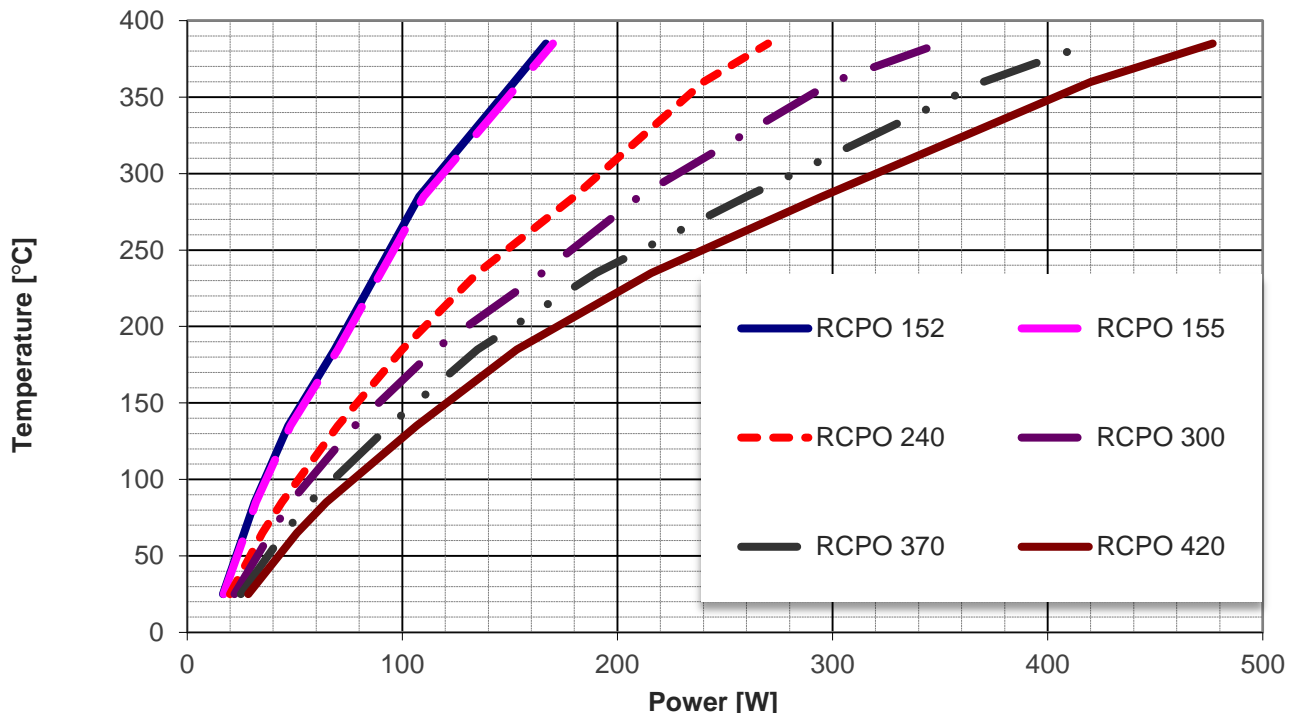
DRAWING

Unless otherwise specified, applicable standard of general tolerances for linear and angular dimensions is ISO 2768-1 class c; applicable standard for ceramic parts is DIN 40680-1 (general dimension) class g and DIN 40680-22 (shape) class g



SURFACE TEMPERATURE CHARACTERISTICS

Except where stated otherwise, Rated power is given at 20 °C ambient temperature. The maximum power that can be dissipated decreases with the increase of ambient temperature. Derating drops to zero at 350°C ambient temperature from nominal rating at 25%.

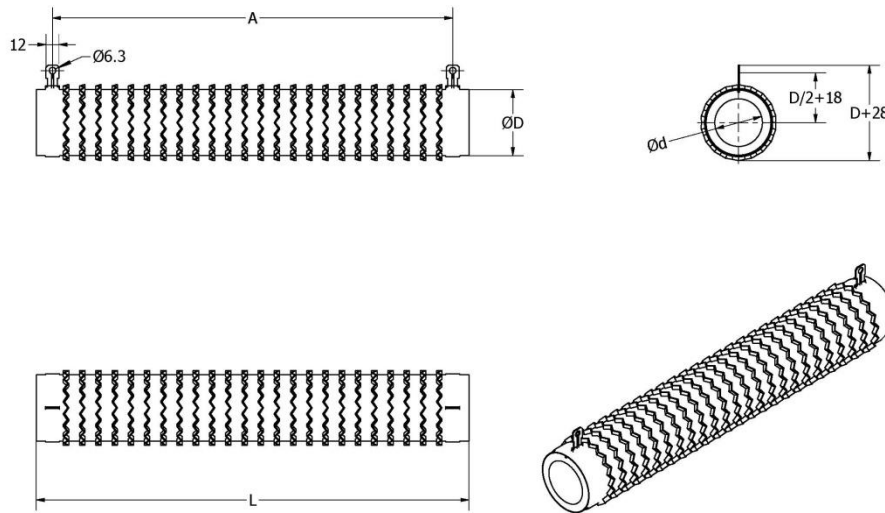


MECHANICAL DATA RCPO 500-1500

Dimensions [mm]	A	D	d	L	BRACKETS	Weight [g]
RCPO 500	270	40	18,5	300	SQ/SC 30	1000
RCPO 600	270	50	28	300	SO 50	1500
RCPO 750	270	60	44	300	SO 60	1250
RCPO 1000	370	60	44	400	SO 60	2000
RCPO 1500	470	60	44	500	SO 60	2500

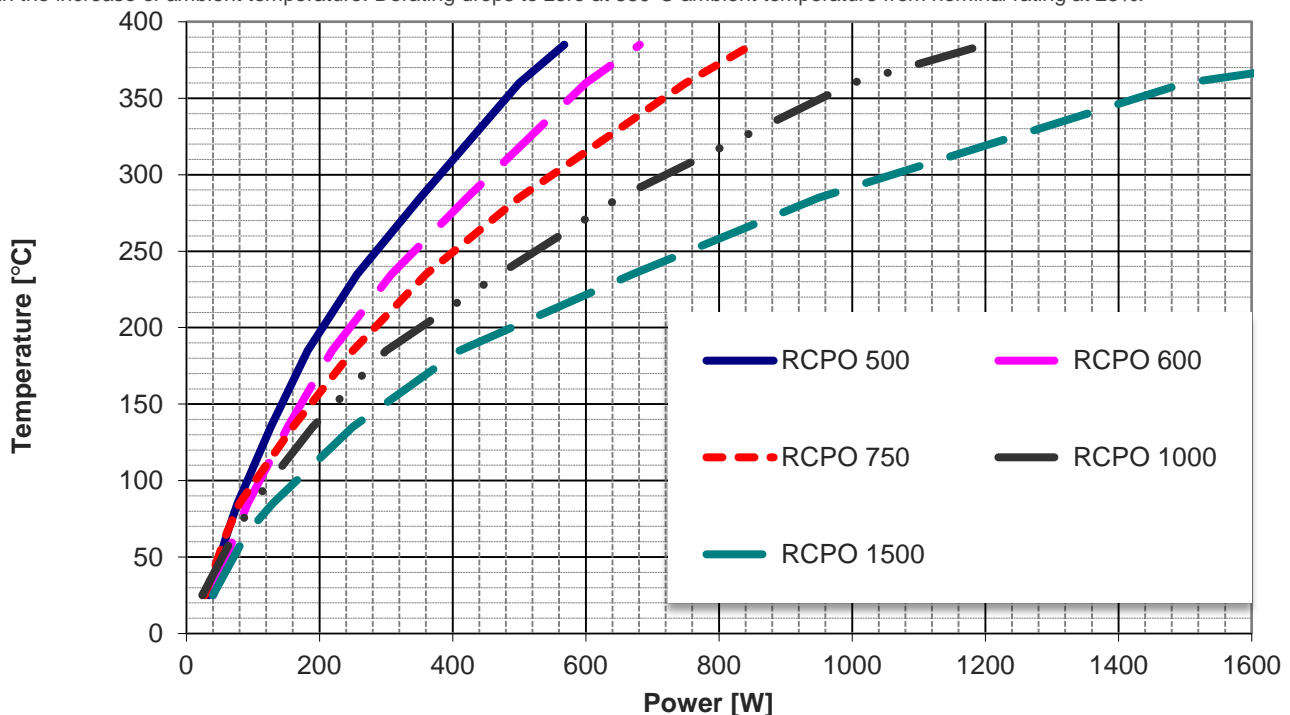
DRAWING

Unless otherwise specified, applicable standard of general tolerances for linear and angular dimensions is ISO 2768-1 class c; applicable standard for ceramic parts is DIN 40680-1 (general dimension) class g and DIN 40680-22 (shape) class g.



SURFACE TEMPERATURE CHARACTERISTICS

Except where stated otherwise, Rated power is given at 20 °C ambient temperature. The maximum power that can be dissipated decreases with the increase of ambient temperature. Derating drops to zero at 350°C ambient temperature from nominal rating at 25%.



Marking

The resistor is marked on the collar with indelible ink high temperature
FAIRFIELD RCPO 1500 10R 5% WW/YY (week / year)

Packing

The resistor is packed in a way to preserve incidental damages due to transport. The resistor is made by ceramic parts, accidental fall can damage it, handle with care.

Disclaimer

Every effort has been made to ensure that the information in this datasheet is accurate. Fairfield is not responsible for printing or clerical errors. All properties and characteristics mentioned in this datasheet are only for informational purposes. The information in this datasheet is offered solely for your consideration and should not be taken as a warranty or representation for which we assume legal responsibility. The customer bears all responsibility for use and application of Fairfield products. There is no responsibility of the manufacturer for any damage to persons and properties in case of improper use. Fairfield reserves the right to change specifications without prior notice.

Copyright

This datasheet is subject to copyright. Fairfield reserves all rights of translation in any language, reprinting, re-use of illustrations. No part of this publication may be reproduced or transmitted in any form or by any means, electronic, mechanical, photocopying, without the written permission of the copyrighted owner Fairfield, Italy. Violations may be subject to legal proceedings involving monetary damages as well as compensation for costs and legal fees under Italian copyright law and regulation within the European Union.

Ordering information

RCPO/Y XXX RRRR 5%
Y R : adjustable version

XXX Model / Rated power i.e. 240 : 240 W

RRRR Resistance value (nominal at 20°C)

Example

RCPO/R 240 15R 5%

RCPO is the name of the product

R means the adjustable version

240 is the model that corresponds, for RCPO family, to the rated power, in this case 240 W

15R means 15 Ω that is the nominal ohmic value at 20°C

5% is the tolerance on the ohmic value, in this case the value of the resistor is accepted when is within 14.25 Ω + 15.75 Ω